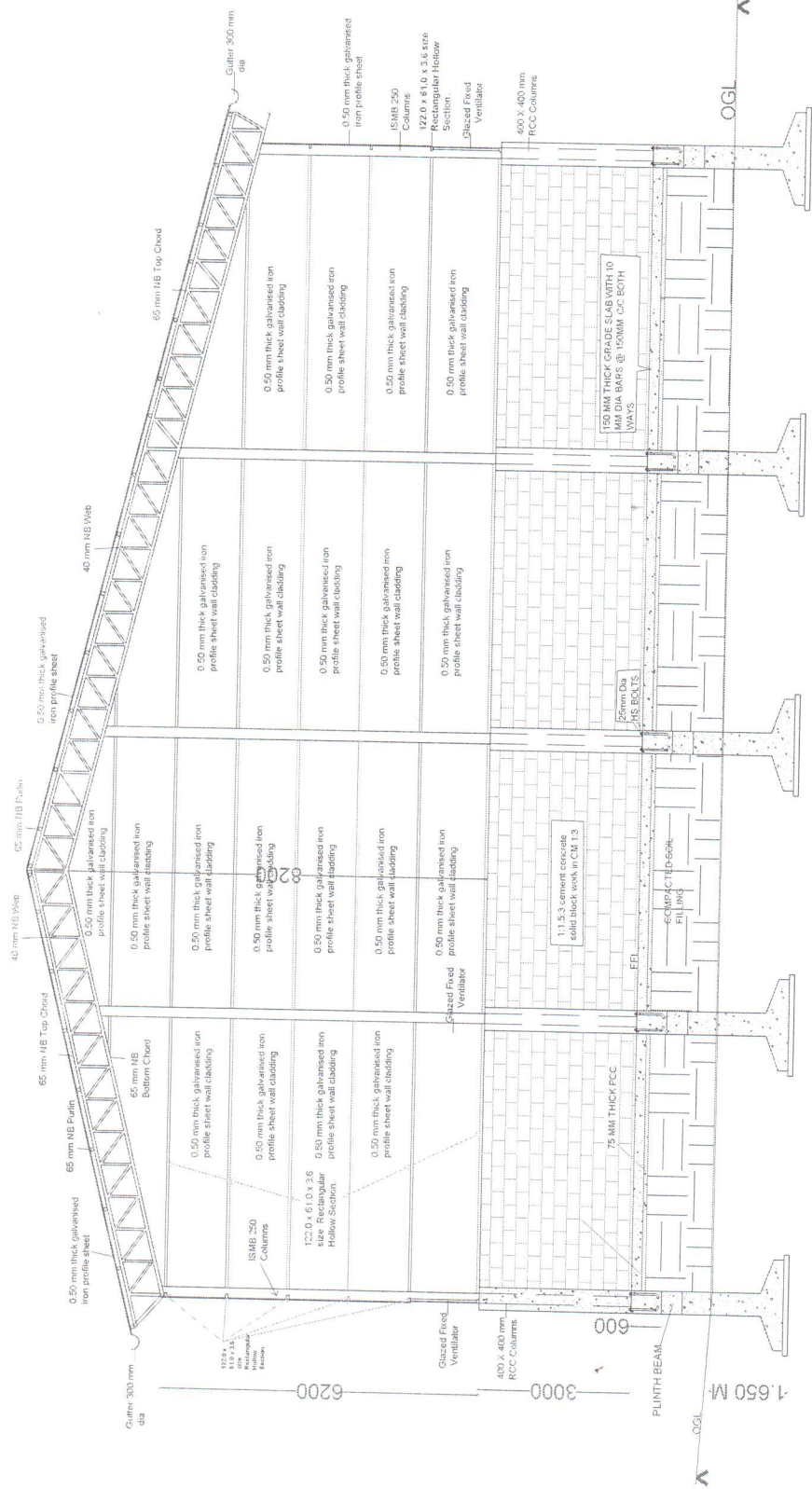


**PLAN**

Name Of Work :- Construction of Shed to accommodate indoor Badminton and Table Tennis games near eastern side of Boy's hostels at propose land for Permanent Campus of IITH at Kandli.

ASSISTANT ENGINEER

SUPERINTENDING ENGINEER

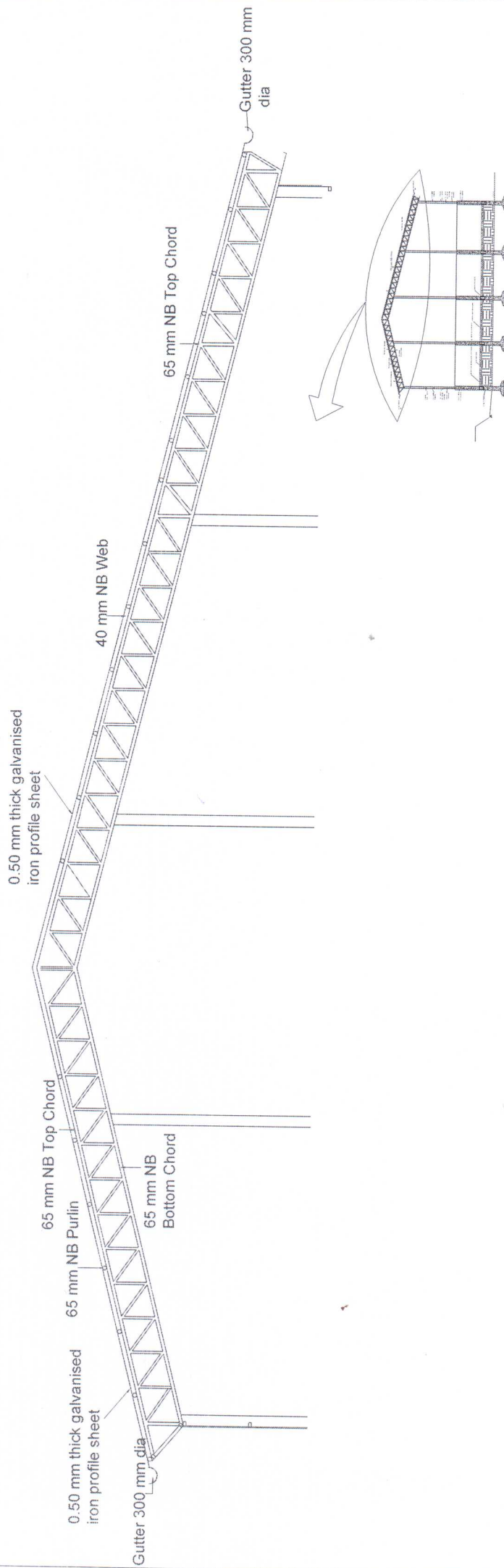


**SECTION A-A**

Name Of Work :- Construction of Shed to accommodate indoor Badminton and Table Tennis games near eastern side of Boy's hostels at propose land for Permanent Campus of IITH at Kandi.

ASSISTANT ENGINEER

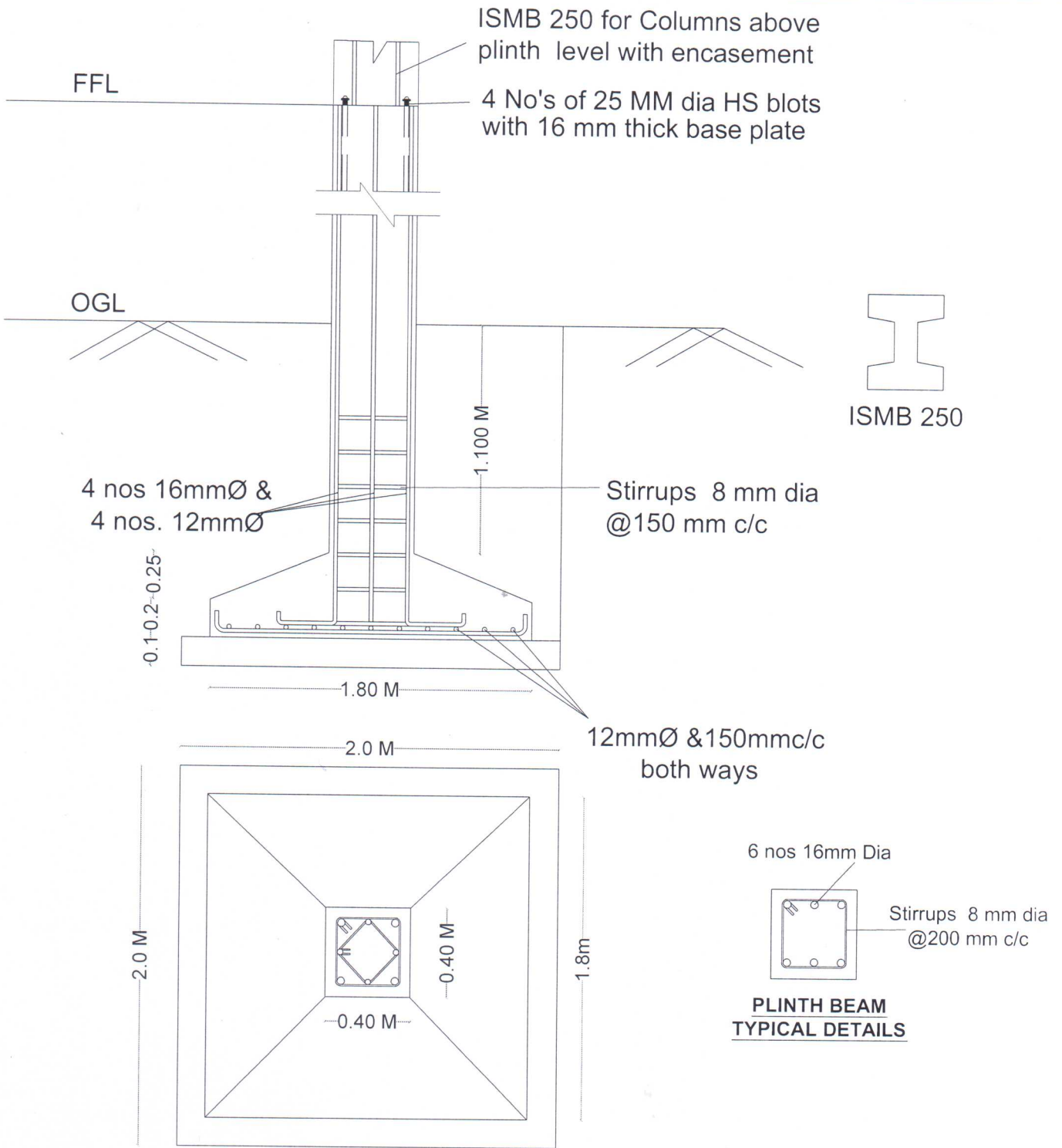
SUPERINTENDING ENGINEER



Name Of Work :- Construction of Shed to accommodate indoor Badminton and Table Tennis games near eastern side of Boy's hostels at propose land for Permanent Campus of IITH at Kandi.

ASSISTANT ENGINEER

SUPERINTENDING ENGINEER



## Sectional elevation of Footing

  
ASSISTANT ENGINEER

SUPERINTENDING ENGINEER